

Ventech VBXGR 150 Exterior Grille Side Wall or Soffit Mounted

An exterior mounted
extract grille (without fan)

Ideal for bathrooms, laundries
and drying rooms

Body dimensions 270sq x 75 overall exterior
depth.

Powder coated aluminium body and duct spigot.

316 Stainless steel outer cover in satin finish.

Copper finish outer covers also available.



Everything is possible with Ventech as your Partner

Designed and manufactured in New Zealand

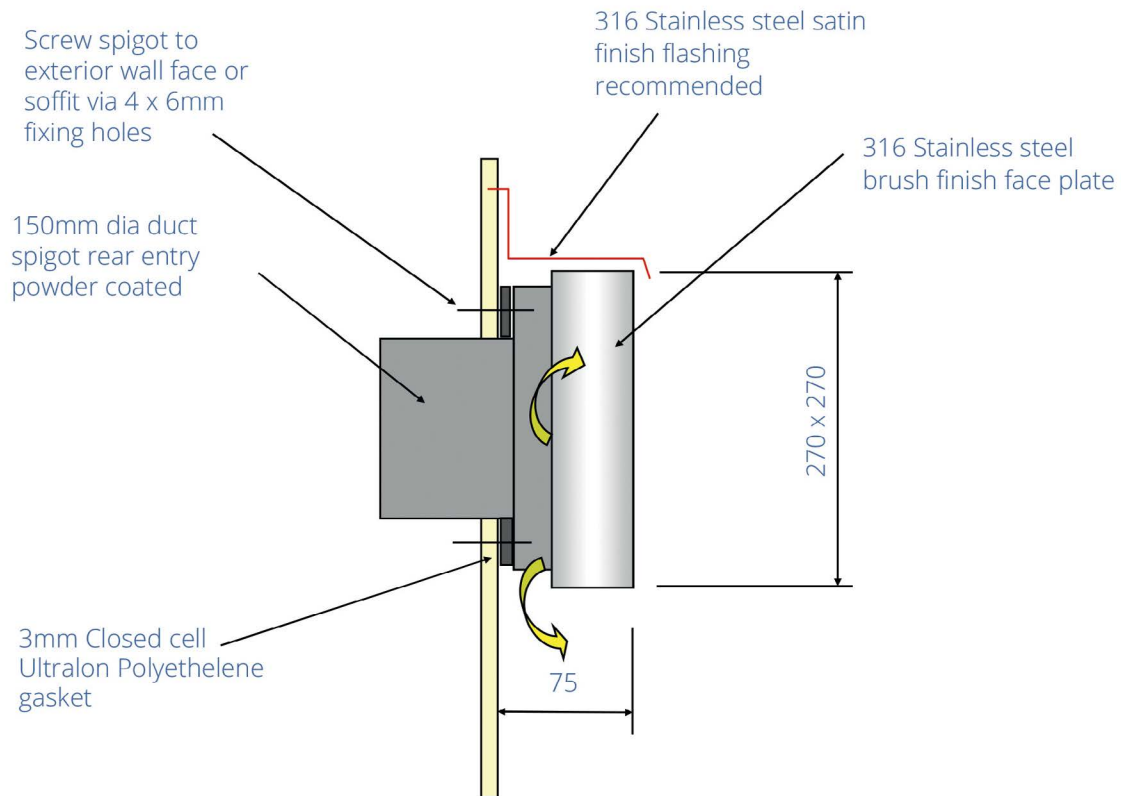
T 0800 VENTECH
(0800 8368324)

M 027 279 6399

E enquiries@ventech.co.nz
www.ventech.co.nz

Ventech VBXGR 150 Exterior Grille

– dimensions & mounting details



SPECIFICATION

- Ventech VBXGR 150 exterior grille with 150mm dia rear spigot.
- Aluminium powder coated body with 316 Stainless steel face plate.
- Suitable for side wall or soffit mounting.
- Hidden fixings and gasket supplied.

the Sound of Silence

Designed and manufactured in New Zealand

T 0800 VENTECH
(0800 8368324)

M 027 279 6399

E enquiries@ventech.co.nz
www.ventech.co.nz

