

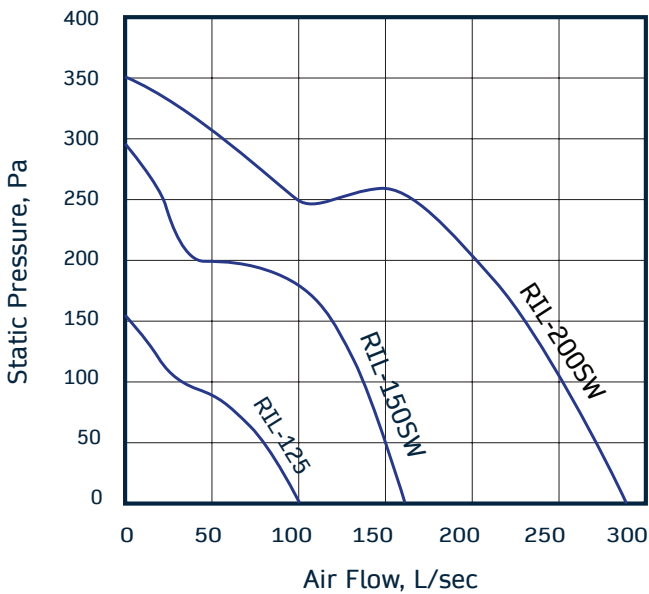
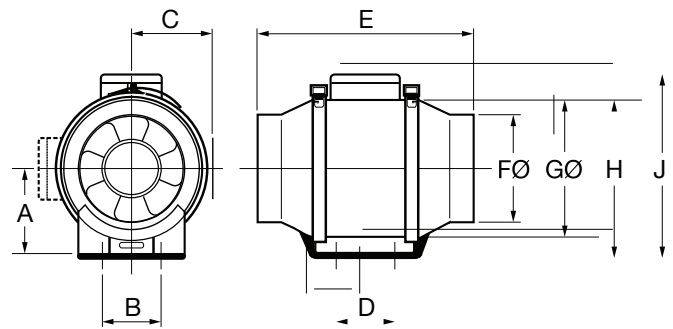
In-line Duct Mounted Fan

VRIL-125 // VRIL-150 // VRIL-200



The high performance ProVent fans features a compact design that makes them suitable for applications where space is limited. Their mixed-flow impeller provides powerful air flow making them suitable for homes, apartments and commercial buildings.

- High performance mixed-flow Impeller.
- Models 150SW and 200SW include an external mounted 2-speed switch.
- Fan body can be removed for maintenance or repair without disturbing the duct system via specially designed support brackets.



MODEL NO.	A	B	C	D	E	FØ	GØ	H	J
RIL-125	100	60	88	80	258	123	176	190	210
RIL-150SW	112	60	100	80	295	147	200	225	236
RIL-200SW	124	94	109	100	302	198	217	235	265

Dimensions in mm

MODEL NO	SPEED	M ³ /HR†	L/SEC †	FAN SPEED RPM	DB(A) @ 3M	WATTS	VOLTS
RIL-125	High	360	100	2280	37	30	240
	Low	270	75	1920	39	22	240
RIL-150SW	High	576	160	2520	45	50	240
	Low	443	123	1980	38	44	240
RIL-200SW	High	1008	280	2520	51	120	240
	Low	792	220	1980	44	100	240

GET IN TOUCH

Ventilation Technology Limited
Christchurch, New Zealand

(027) 279 6399
enquiries@ventech.co.nz
www.ventech.co.nz

