



Ventech VBR 190 Roof Mounted Fan

A roof mounted
extract fan

Ideal for bathrooms,
laundries and drying rooms

- Body dimensions 265 sq x 145 overall exterior depth
- Powder coated aluminium body and duct spigot
- 316 Stainless steel outer cover in brush finish
- Galvanised Tube through the roof

Everything is possible with Ventech as your Partner

Designed and manufactured in New Zealand

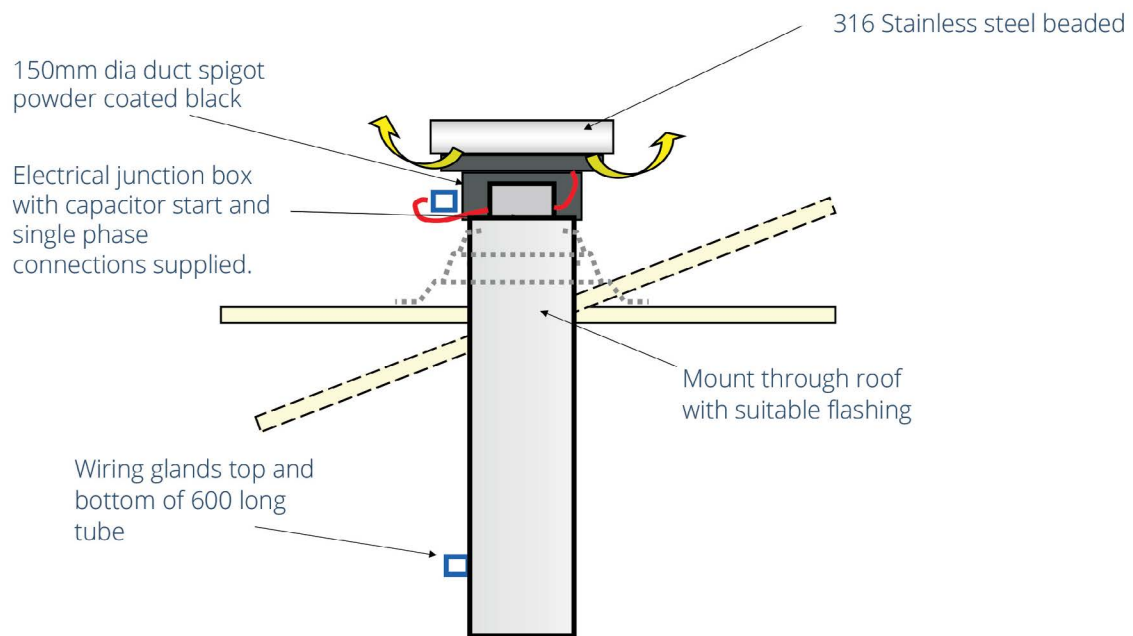
T 0800 VENTECH
(0800 8368324)

M 027 279 6399

E enquiries@ventech.co.nz
www.ventech.co.nz

Ventech VBR 190 Roof Fan

– dimensions & mounting details



SPECIFICATION

- VBR 190 Roof mounted fan with 150mm dia x 600 long galvanised mounting tube.
- Aluminium powder coated body with 316 Stainless steel face plate.
- Backward curve centrifugal rotor with integral 80W 3 speed motor.
- Performance 130 Lts/sec fid- rated @ 50,000 hrs.
- Suitable for mounting through long run or membrane roof.
- Code of compliance included.

the Sound of Silence

Designed and manufactured in New Zealand

T 0800 VENTECH
(0800 8368324)

M 027 279 6399

E enquiries@ventech.co.nz
www.ventech.co.nz