

Ventech VFR 250 Framed Extract Grille

Ceiling or Side Wall
Mounted

For Bathrooms, showers,
laundries, kitchens.

Can be fitted into tiled ceilings
and walls or plaster board
ceilings and walls.

- Body dimensions
250mm sq x 50mm deep.
- Powder coated aluminium frame
finished in appliance white.
- The unit is presented to the ceiling,
the flexible duct is pulled down
through the frame and attached to
the central plaque and spigot.
- Once fitted, the exposed surface of
the plaque is level with the ceiling
and can be finished at the same time
as the ceiling.
- Custom sizes to order.

Everything is possible with Ventech as your Partner

Designed and manufactured in New Zealand

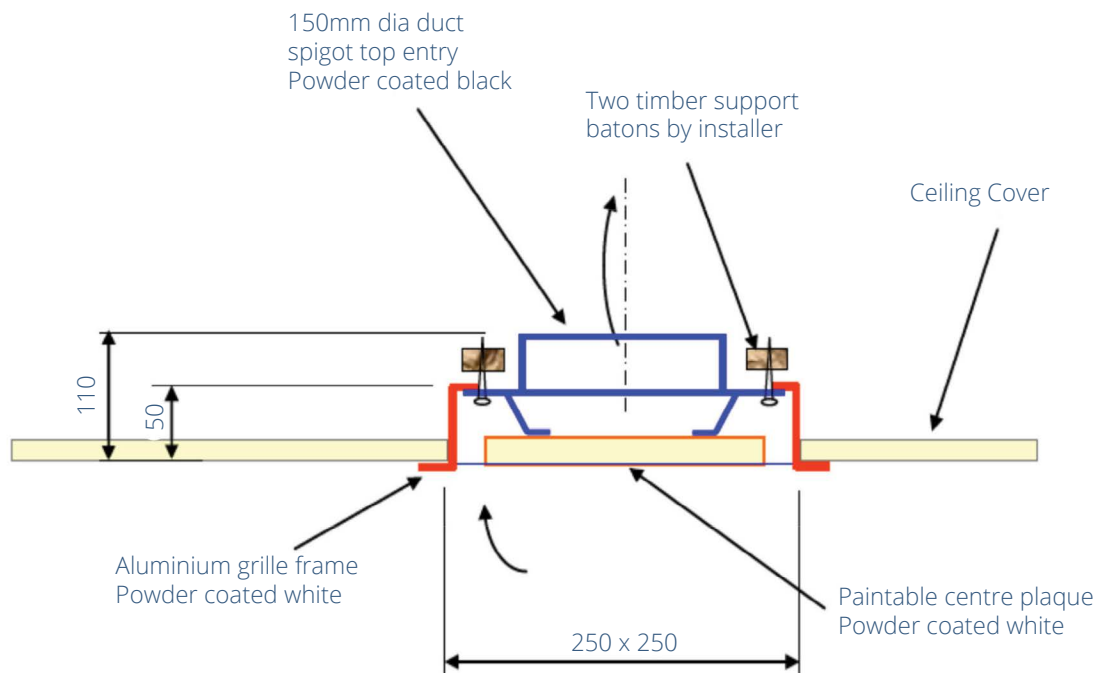
T 0800 VENTECH
(0800 8368324)

M 027 279 6399

E enquiries@ventech.co.nz
www.ventech.co.nz

Ventech VFR 250 Framed Extract Grille

– dimensions & mounting details



Hole size 250 x 250
Plaque size: 200 x 200
Standard top exit spigot

SPECIFICATION

- Ventech VFR 250 Framed Grille with 150mm spigot top entry.
- Frame powder coated, Trimatrix plaque, powder coated in appliance white. Can be re-painted to match the ceiling.
- Suitable fans, ductwork and exterior grilles also available.
- At a typical flow rate of 60-70 litres per second, pressure drop is 26 pa.

the Sound of Silence

Designed and manufactured in New Zealand

T 0800 VENTECH
(0800 8368324)

M 027 279 6399

E enquiries@ventech.co.nz
www.ventech.co.nz

