



Ventech VBX 190 Exterior Ventilator

Side Wall or Soffit Mounted

An exterior mounted extract fan.
Ideal for bathrooms, laundries
and drying rooms.

- Body dimensions 265 sq x 75 overall exterior depth.
- Powder coated aluminium body and duct spigot.
- 316 Stainless steel outer cover in beaded finish.
- Copper finish outer covers also available

Everything is possible with Ventech as your Partner

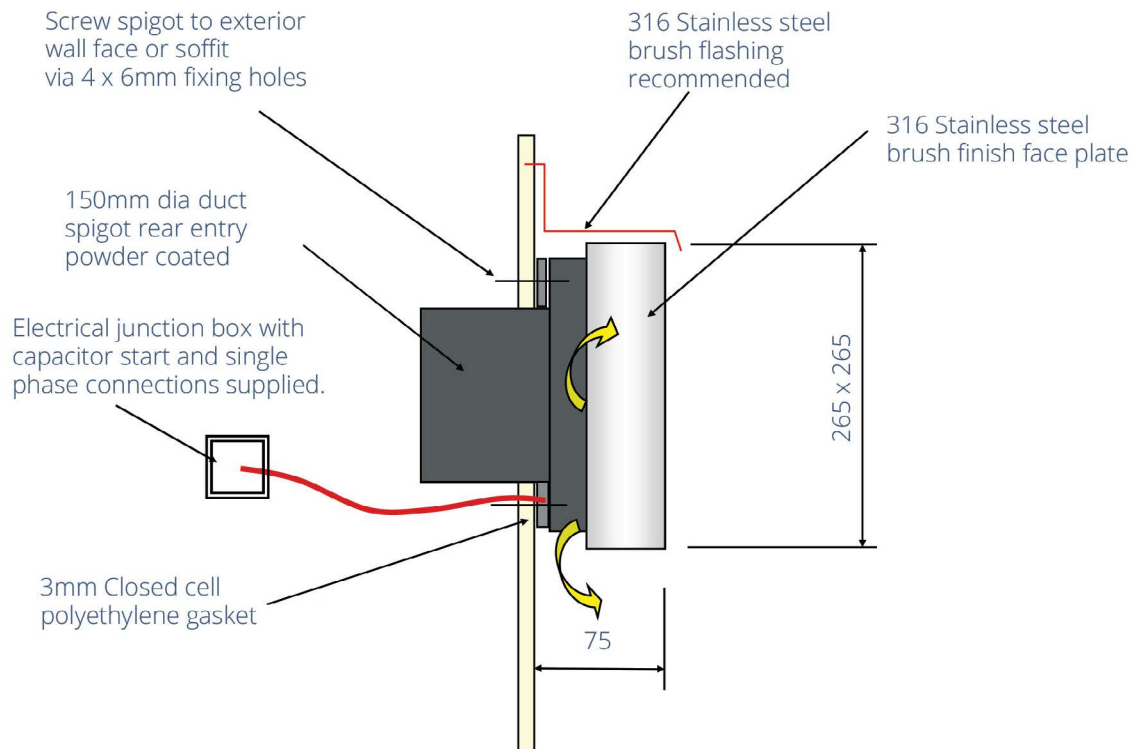
Designed and manufactured in New Zealand

T 0800 VENTECH
(0800 8368324)

M 027 279 6399

E enquiries@ventech.co.nz
www.ventech.co.nz

Ventech VBX 190 Exterior Ventilator – mounting details



SPECIFICATION

- VBX 190 Exterior Ventilator with 150mm dia rear spigot
- Aluminium powder coated body with 316 Stainless steel face plate
- Backward curve centrifugal rotor with integral 240V 70W 3 speed motor.
- Performance 130 Lts/sec fid- rated @ 50,000 hrs—IP55
- Suitable for side wall or soffit mounting.
- Sound data: Speed 1 – 41 dba @ 3m
Speed 2 – 50 dba @ 3m
Speed 3 – 55 dba @ 3m

WARNING

Ensure that fan is switched off from supply mains before removing guard.

Precautions must be taken to avoid back-flow of gases into room from open flue of gas or other fuel-burning appliances.

Allow for the ability to disconnect appliance from supply after installation.

If the supply cord is damaged, it must be replaced by the manufacturer, its service agent, or similarly qualified persons.

the Sound of Silence

Designed and manufactured in New Zealand

T 0800 VENTECH
(0800 8368324)

M 027 279 6399

E enquiries@ventech.co.nz
www.ventech.co.nz

