

Ventech 800 Rangehood



Designed and manufactured in New Zealand

T 0800 VENTECH
(0800 8368324)
M 027 279 6399
E enquiries@ventech.co.nz
www.ventech.co.nz



Ventech 800 Rangehood – specifications

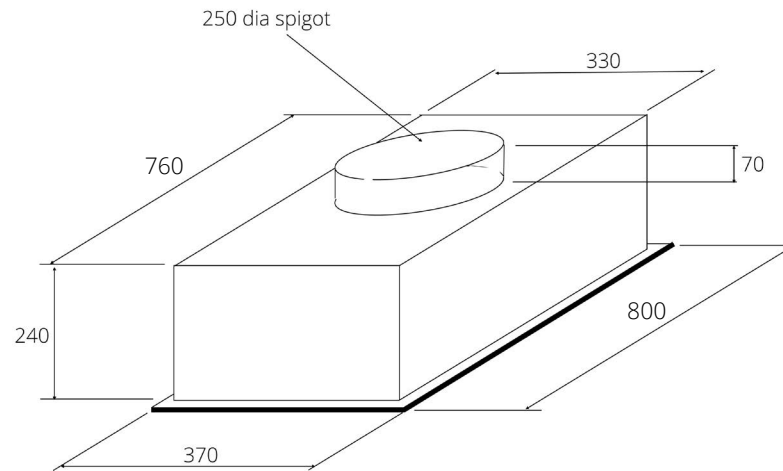


800 Plaque style under cupboard or bulkhead mounted

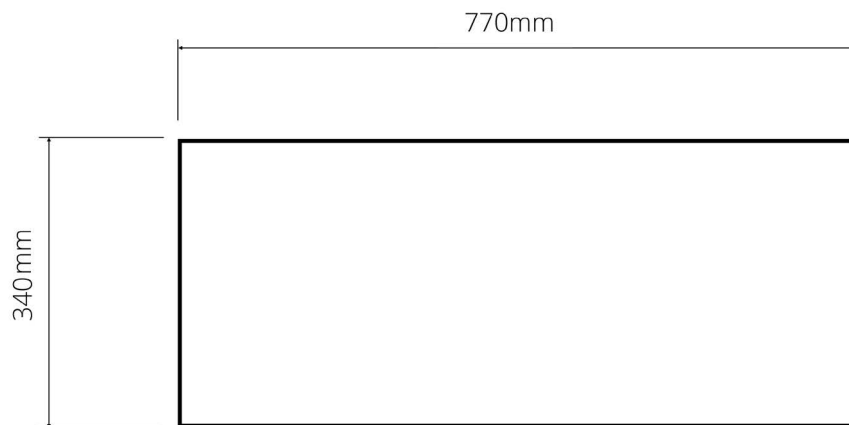
Outer flange dimensions	800w x 370d
Air box dimensions	760w x 330d x 240h
Duct connection	250mm dia.
Filters	2 x 267 x 335 Aluminium.
Lights	2 x 5w LED downlights 50mm dia flush fitting.
Speed and light controls	5 button chrome switch
Central Plaque	Stainless steel or matching lacquered plate
Typical Fan Specification	Inline - 315 dia 2pole – 600 -1800cbm/hr Roof - 4 pole – 700 - 2400cbm/hr
Finish	Plaque-Stainless steel - No 4 brush, or lacquered colour
Typical sound rating	High Speed – 39-42dba at 1.0m

Ventech 800 Rangehood - dimensions

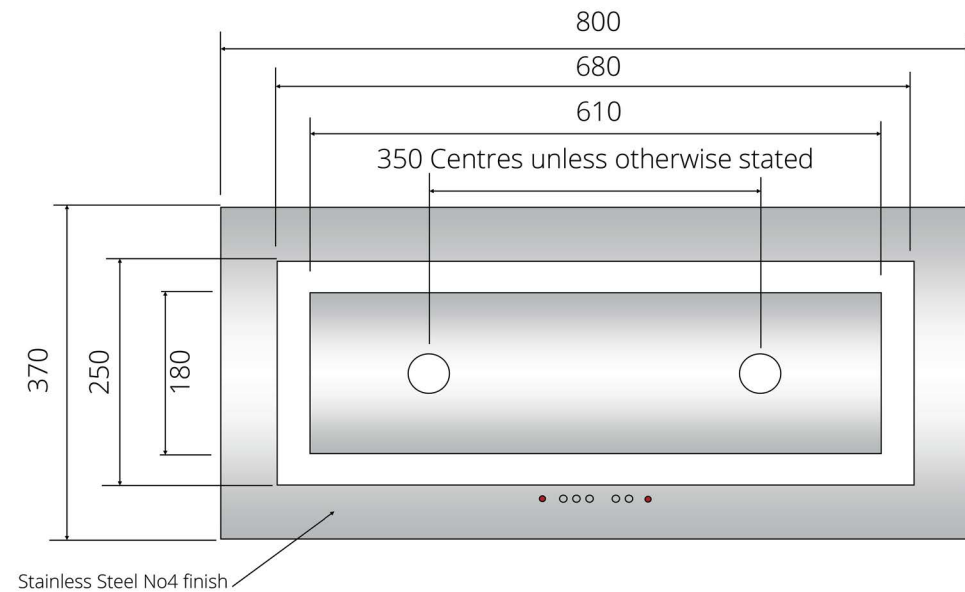
Exterior



Joinery cut-out



Frame and plaque



Typical Rangehood Installation

One common method of mounting under cupboard range hoods is shown. Other methods are available dependent on the particular requirements.

