

# Ventech 800 Range hood

## Installation Instructions

### IMPORTANT SAFETY INSTRUCTIONS

#### PROTECT SURFACES

Stainless steel is very easily damaged during installation if abraded or knocked by tools. It is recommended to protect the polished surface of the range hood with cardboard or polystyrene during the installation to minimise the risk of damage occurring.

To reduce the risk of damage occurring to the cooktop, it is recommended that the surface of the cooktop is protected with thick cardboard or a similar object during installation of the range hood.

#### WEIGHT HAZARD

The range hood is heavy. Weight of the hood is 18kg!

Please ensure adequate care is taken when installing the range hood to prevent personal injury.

It is recommended that two people install this range hood.

The range hood must be installed onto a solid fixing.

#### ELECTRIC SHOCK HAZARD

Always disconnect the appliance from the mains power supply before carrying out any maintenance or repairs. Alterations to the domestic wiring system must be made by a qualified electrician.

Failure to follow this advice may result in electric shock or death.

#### QUALIFIED PERSON

This appliance must be installed and connected to the mains power supply only by a suitably qualified person according to these installation instructions and in compliance with any applicable local building and electricity regulations. Failure to install the appliance correctly could invalidate any warranty or liability claims.

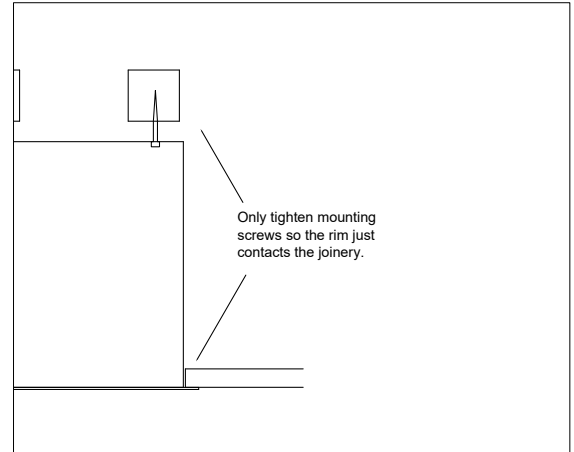
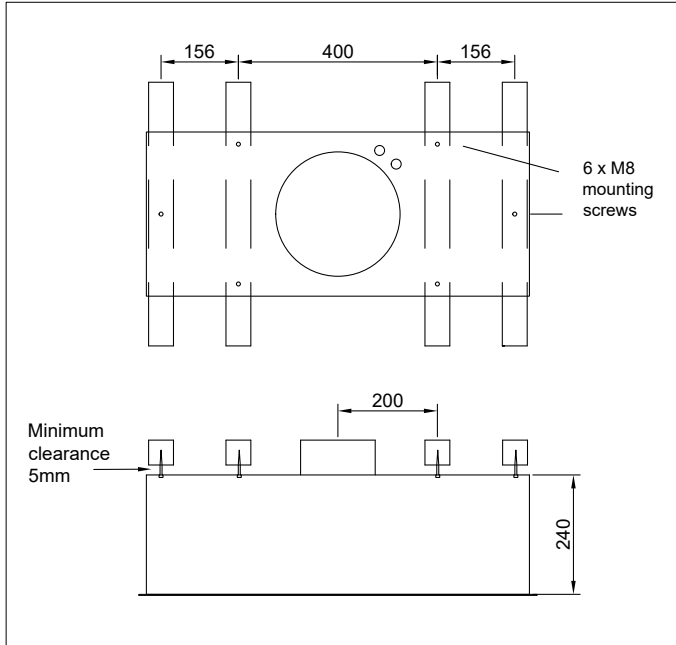
#### INSTALLATION

- Ensure bench top and range hood surfaces are suitably protected before installation.
- The most common attachment method is illustrated. Other options, including using threaded rod, may be applied.
- The range hood supporting fixtures must be sturdy enough to safely support the range hood.
- The joinery cut out dimensions are shown overleaf.
- The spigot of the range hood is removable. If necessary the ducting can be attached to the spigot prior to fitting the range hood to joinery.
- Fit the range hood to the supports, this requires two people.
- Take care not to over tighten the fixing screws as distortion to the rim may occur.
- If required re-attach the spigot to the range hood.
- The hood has two glands to allow wiring to be routed to the connection box.
- Make required electrical connections.
- Remove plastic film from filters and fit filters.
- Remove plastic film from lower surface of the range hood.
- Check all functions of the range hood are operational.

# Ventech 800mm Range Hood – INSTALLATION

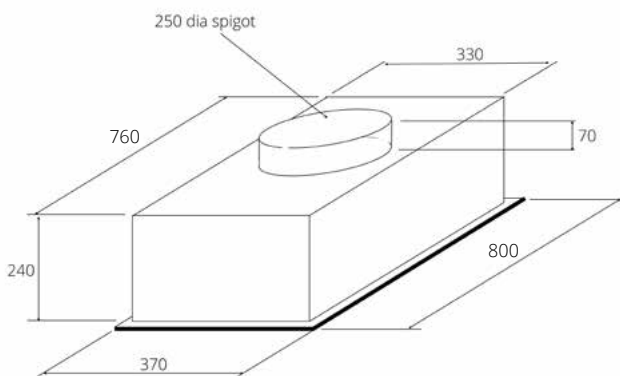
## Warning: Do not over tighten mounting screws

Mount range hood by screwing through the mounting holes into fixings located as shown. Other mounting holes can be drilled if necessary avoiding cables and components inside the range hood.

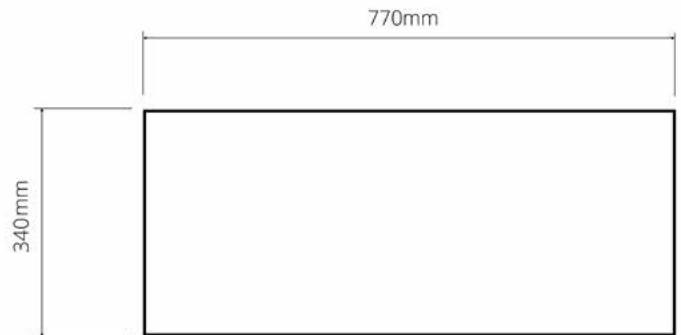


# Ventech 800mm Surface Mounted Range Hood – DIMENSIONS

Exterior



Joinery cut-out



the Sound of Silence

Designed and manufactured in New Zealand

T 0800 VENTECH  
(0800 8368324)

M 027 279 6399

E enquiries@ventech.co.nz  
www.ventech.co.nz