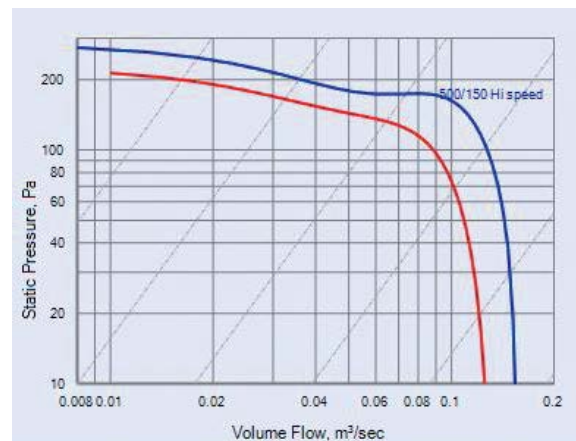


RIL-150 Inline Fan

This quiet and high capacity fan is ideal to be used in conjunction with Ventech bathroom grilles and ventilation systems.



PERFORMANCE CURVE - RIL-150 2 SPEED

Description

The ProVent Series of in-line mixed-flow fans have been specifically designed for ducted supply or exhaust air applications.

FEATURES

- High performance mixed-flow Impeller.
- Fans can be removed for maintenance or repair without disturbing the duct system via specially designed support brackets.
- Integrated mounting foot makes installation easier.
- All models include plug and lead for easy installation.
- Can be mounted in any position.

CONSTRUCTION

The housings are of reinforced, injection moulded polypropylene plastic.

The mixed-flow impellers are of injection moulded plastic.

MOTORS

Type - 2-speed, squirrel cage, capacitor run.

Electricity supply - 230V, single-phase, 50Hz.

Class B insulation, IP44.

Ball Bearings.

Speed-controllable using VA type speed controller in high speed setting only.

INTERNAL THERMAL PROTECTION

Manual-reset thermal overload protection device in accordance with mandatory requirement for in-duct fans AS/NZS60335-2-80:2004

TESTING

Air flow to ISO5801:Part1, 1997

Noise to BS848:Part 2, 1985

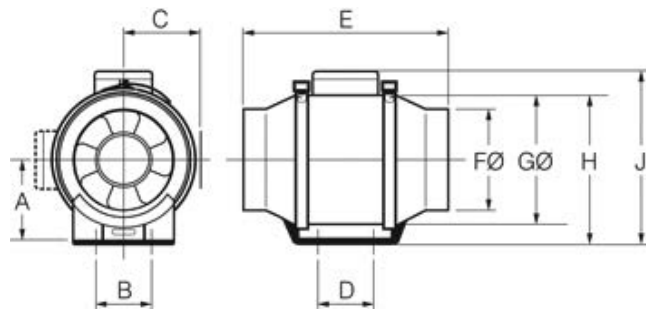
Meets requirements of AS/NZS60335-2-80:2004

All fans are fully tested to ISO5801: Part1, 1997 for air flow and BS848:Part 2, 1985 for noise.

Technical Data - RIL-150

SETTING	SPEED [RPS]	AVG. DBA @ 3M	KWATTS (INPUT)	AMPS	MAX.°C	APPROX. WEIGHT [KG]
Lo	36	38	0.044	0.19	60	2.7
Hi	42	42	0.05	0.22	60	

Dimensions



A	B	C	D	E	F	G	H	J
112	60	100	80	295	147	200	225	236

*All dimensions in mm, unless otherwise stated

the Sound of Silence

Designed and manufactured in New Zealand

T 0800 VENTECH
(0800 8368324)

M 027 279 6399

E enquiries@ventech.co.nz
www.ventech.co.nz

