

Tube Mounted Roof Fan

VTM190

Everything is possible with Ventech as your Partner.

OUR FAN

Ideal for very quiet bathroom, laundry and other extraction systems. Covers can be stainless steel or the tube and cover can be powder coated to suit the roof. Suitable for mounting through long run or membrane roof.

Colours reference:
<https://www.colorsteel.co.nz/colours/>

SPEEDS

Available as a single or 3 speed fan:

VTM190-1 Single Speed
VTM190-3 3 Speed

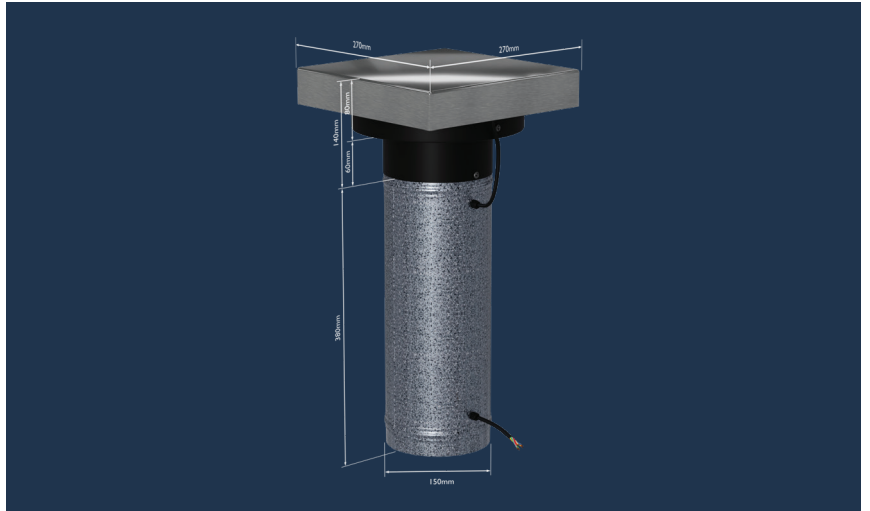
**Ideal for quiet
bathroom &
laundry
extraction**



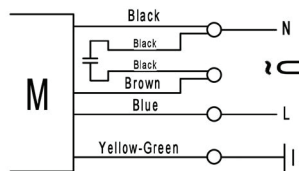
SPECIFICATIONS

- VTM190 Roof mounted fan with 150mm dia x 400 long galvanised mounting tube.
- Backward curve centrifugal rotor with integral 80W 1 or 3 speed motor.
- Performance 130 Lts/sec fid- rated @ 50,000 hrs.

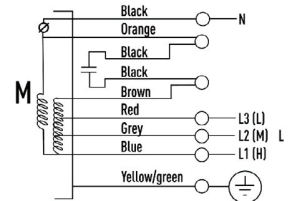
Sound data: Speed 1 – 41 dba @ 3m
 Speed 2 – 50 dba @ 3m
 Speed 3 – 55 dba @ 3m



VTM190-1
B2M190-70
Single speed wiring



VTM190-3
B2M190-70-3
Three speed wiring



WARNING

Ensure that fan is switched off from supply mains before removing guard. Precautions must be taken to avoid back-flow of gases into room from open flue of gas or other fuel-burning appliances. If the supply cord is damaged, it must be replaced by the manufacturer, its service agent, or similarly qualified persons. Means for disconnection must be incorporated in fixed wiring in accordance with wiring rules. Appliance not intended for use by persons (including children) with reduced physical, sensory or mental capabilities, or lack of experience and knowledge, unless they have been given supervision or instruction concerning use of appliance by person responsible for their safety. Children should be supervised to ensure they do not play with appliance.

GET IN TOUCH

Ventilation Technology Limited
Christchurch, New Zealand

(027) 279 6399
enquiries@ventech.co.nz
www.ventech.co.nz

