



## Ventech VFR 250 Framed Extract Grille

Ceiling or Side Wall  
Mounted

For Bathrooms, showers,  
laundries, kitchens.

Can be fitted into tiled ceilings  
and walls or plaster board  
ceilings and walls.

- Body dimensions  
250mm sq x 50mm deep.
- Powder coated aluminium frame  
finished in appliance white.
- The unit is presented to the ceiling,  
the flexible duct is pulled down  
through the frame and attached to  
the central plaque and spigot.
- Once fitted, the exposed surface of  
the plaque is level with the ceiling  
and can be finished at the same time  
as the ceiling.
- Custom sizes to order.

Everything is possible with Ventech as your Partner

Designed and manufactured in New Zealand

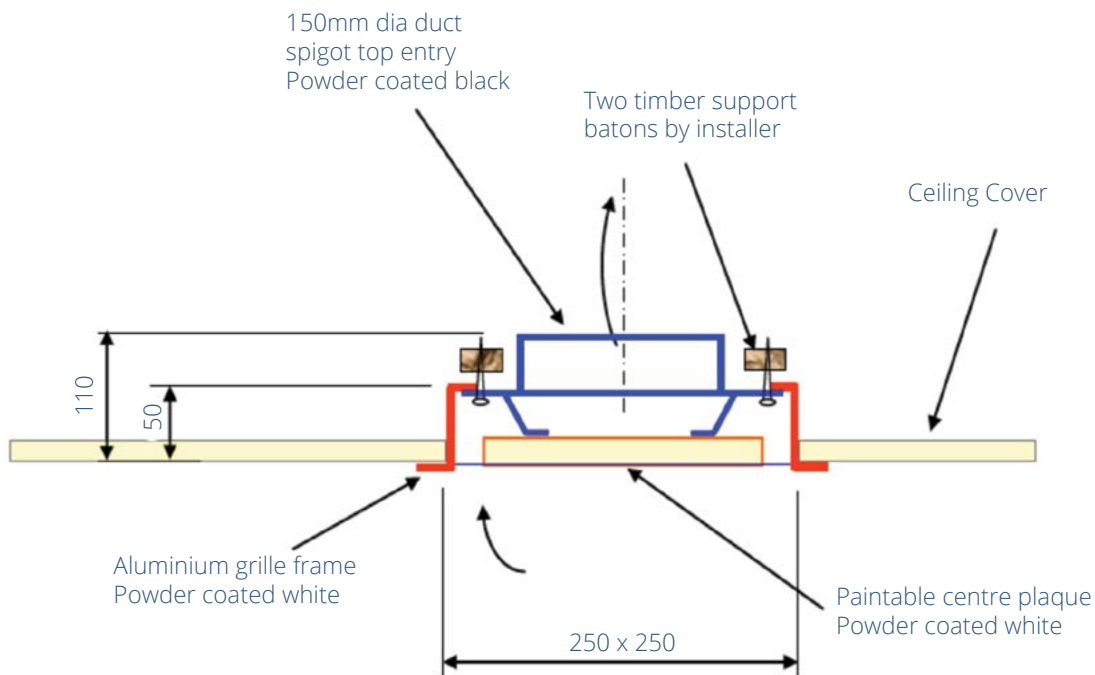
T 0800 VENTECH  
(0800 8368324)

M 027 279 6399

E enquiries@ventech.co.nz  
www.ventech.co.nz

# Ventech VFR 250 Framed Extract Grille

## – dimensions & mounting details



Hole size 250 x 250  
Plaque size: 200 x 200  
Standard top exit spigot

### SPECIFICATION

- Ventech VFR 250 Framed Grille with 150mm spigot top entry.
- Frame powder coated, Trimatrix plaque, powder coated in appliance white. Can be re-painted to match the ceiling.
- Suitable fans, ductwork and exterior grilles also available.
- At a typical flow rate of 60-70 litres per second, pressure drop is 26 pa.

the Sound of Silence

Designed and manufactured in New Zealand

T 0800 VENTECH  
(0800 8368324)

M 027 279 6399

E enquiries@ventech.co.nz  
www.ventech.co.nz